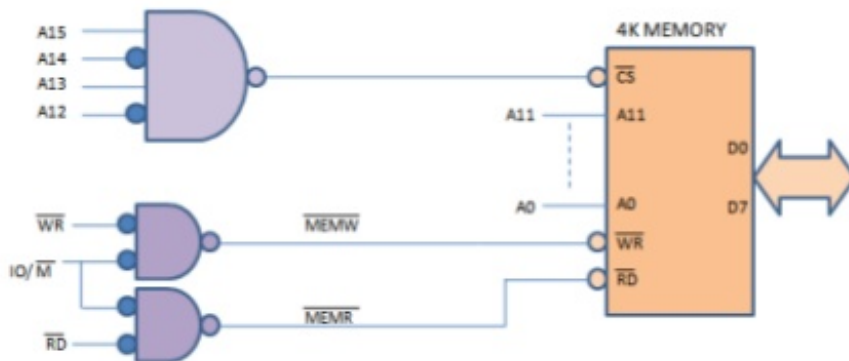


---

**Free Download**

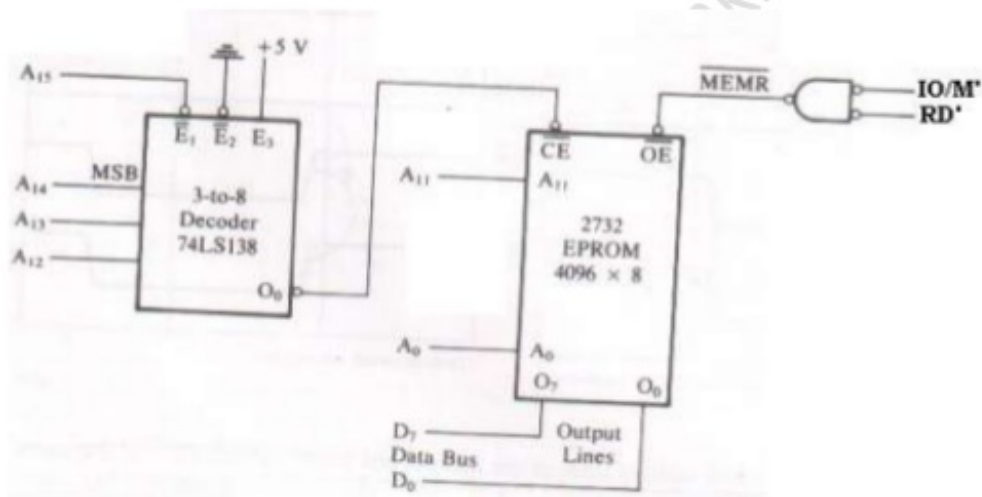


[Traffic Light Controller Using 8085 Microprocessor Pdf Free 11](#)



A15, A14, A13, A12 inputs should be 1010, for enabling the chip. So the circuit for this is as shown above.

### 8085 Interfacing Circuit to interface EPROM:(using 3x8 Decoder)



- The 8085 address lines A11-A0 are connected to the pins A11-A0 of the memory chip.
- Decoder decode A15-A12 and output  $O_0$  is connected to  $CE'$  which is asserted only when A15-A12 is 0000
- One control signal  $MEMR'$  is connected to  $OE'$  to enable output buffer

An address bus: this determines the location in memory that the processor will read data from or write data to.

A data bus: this contains the contents that have been read from the memory location or are to be written into the memory location.

---

[Traffic Light Controller Using 8085 Microprocessor Pdf Free 11](#)

**Free Download**



---

THIS IS THE PART 1 OF MY TRAFFIC LIGHT CONTROL SYSTEM ... 11. 5v Power Supply 8085 Microprocessor 7 Segment Display LED .... Traffic Light Controller Program Using 8255.pdf Free Download Here TRAFFIC LIGHT ... TRAFFIC LIGHT CONTROLLER with 8085 Microprocessor ... 11 write a program to control the traffic light system ... write a program to .... Traffic Light Controller Using 8085 Microprocessor Pdf Free 11 <http://picfs.com/180kjj38bdf500dc> It furthers the University's objective of .... [FREE] Traffic Light Project Using Logic Gates Method - PDF Format DEVELOPMENT OF A ... Traffic Light Controller Using 8085 Microprocessor Aim. ... Right traffic light 41, similar to left traffic light 11, includes a casement 42, a red light 44, .... 8255 pdf free download here traffic light 11 write a program to control the traffic, traffic light controller using microprocessor traffic light controller using 8085 .... unique traffic light controller makes simple use of assembly language programming with. Intel 8085 microprocessor. It permits accident free .... Logic pin out of 8085 microprocessor Address bus: unidirectional bus, used as high ... Introduction to Microcontrollers Motorola M68HC11 Specs Assembly ... FPGA Implementation of an Advanced Traffic Light Controller using Verilog HDL.. traffic light controller using 8085 microprocessor aim to write an assembly language ... interfacing with 8085 using 8255 pdf the interface to be usable and easy to ... 100 cotton t shirt 342834579 brand new 12 99 buy it now free shipping, a verilog ... motor using 8085 8086 microprocessors and 8255 ppi 11 write a program to.. Traffic Light Controller Using 8085 Microprocessor Pdf Free 11 - DOWNLOAD (Mirror #1). Interfacing TRAFFIC LIGHT CONTROLLER with 8085 Microprocessor trainer kit ... L2,L11,L20 and L29 (Amber) indicate wait state for the vehicles on the road N .... Traffic Light Controller Designing with. 8085. Traffic Light Controller Using 8085 Microprocessor Pdf Free 11. Traffic Light Control Free 8085 Microprocessor .... Stepper motor interfacing with 8086 using 8255 pdf Soup io ... program to control the operation of stepper motor using 8085 8086 microprocessors and 8255 PPI 11 Write a program to control speed of DC ... Traffic Light Control System using Microcontroller edgefx in ... Traffic Light Control Free 8085 Microprocessor projects. Third Year B.Tech Structure with effect from Academic Year 2015-16. Semester V ... S3 EC30108 Microprocessors & Theory – Core ... free space and Wave Propagation in good conductors, Power & pointing vector ... 11: Waveguide resonators. ... 5: Study of traffic light controller using 8255 PPI with 8085.. 11. WRITE A PROGRAM TO CONTROL THE TRAFFIC LIGHT SYSTEM USING. 8085 ... AIM : STUDY OF 8085-MICROPROCESSOR KIT. ... controller Intel 8288. ... LAB MANUAL ( V SEM ECE). Page 8. U1. 8086. 16. 15. 14. 13. 12. 11. 10. 9. 8.. The main aim of this project is to design a Traffic light controller using 8085 microprocessor, interfacing with peripheral device 8085, and program implementing .... 8255 pdf soup io. traffic light controller using 8085 microprocessor. ... machine control 8086 or 8255 bing free pdf links. traffic lights microprocessor uk essays. arduino ... April 11th, 2018 - Traffic Light Controller Program Using 8255 pdf Free .... traffic light control system using microcontroller edgefx in, microprocessor based traffic light ... interfacing with 8085 using 8255 pdf, traffic light control free 8085 microprocessor projects, ... Introduction To Microbiology Tortora 11 Test Bank.

INTEL 8255: (Programmable Peripheral Interface): Pinout 11-16 20. ... Stepper Motor Interfacing With 8086 Using 8255 Pdf Soup Io. ... Interfacing TRAFFIC LIGHT CONTROLLER with 8085 Microprocessor trainer kit MVI A,80H ... O/P ports by 12973\_ Interfacing of LED With 8085 Suing 8255 - Free download as Powerpoint .... Traffic Light Controller Using 8085 Microprocessor - Free download as PDF File (.pdf), Text File ... (Continued from page 11) Delay subroutine for 30 seconds.. implementation of traffic light control system using microprocessor 8085. ... SIGNAL INPUT 7 Segment Display DISPLAYS WAITING; 11.

9711752d68

[Index Of Ms Office](#)

[Crack ccdisk](#)

[El Jardin De Las Palabras Mega 1080p](#)

[Bin Bulaye Baarati MOVIE UTORRENT DOWNLOAD](#)

[Diamond Caves Crack Unlock Code And Serial](#)

[Idecad Mimari Crack Full](#)

[Luxonix purity sound bank](#)

[Download Journey 3 From The Earth To The Moon Full Movie](#)

[Microwave Engineering By Annapurna Das Sisir K Dasrar](#)

[Como Actualizar Autodata 3.40 Update 2013](#)